



### Features

- 25 & 70 volt line matching transformers
- High dBA output (over 90 dBA at 10 feet @ 2 watts)
- D.C. blocking capacitor for line supervision
- Terminal block connection for speaker tap/output selection
- Multiple output taps. Selection for ¼, ½, 1 or 2 watts
- Moisture resistant
- Fire retardant cone material
- Factory assembled and tested
- Each speaker is equipped with a ground wire
- Bright white speaker baffle
- Round or square baffles

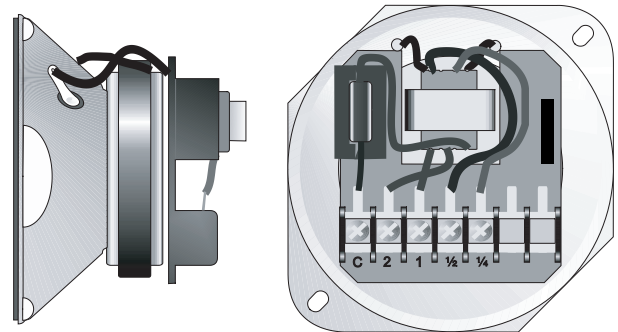
### Description

Mircom's SP-Series 4" Speakers are designed for broadcasting high quality tone signals and are ideal for alarm signaling in hotels, malls, apartments and other areas where attractive appearance and dependable performance are prime concerns.

The SP-Series 4" Speakers consist of a loudspeaker, 6 oz. magnet, a low profile constant voltage line matching transformer, a D.C. blocking capacitor and an all steel speaker baffle finished in a bright white colour. The 25 and 70 volt transformers are of the matching type and include output power taps of ¼, ½, 1 and 2 watt(s). Tap selection is made by wiring into the appropriate slot on the speaker's terminal block. The SP-Series speakers install easily using the surface or flush backboxes.

Mircom fire alarm speakers are specially designed for high quality emergency fire alarm signals and voice communication. These units must be used with Mircom's QX-5000 Voice Evacuation System or any voice alarm equipment approved by Underwriters Laboratories of Canada (ULC).

### Wiring Instructions



Desired wattage is selected by wiring into the corresponding terminal on the speaker terminal block.





## Description

Mircom's low profile fire alarm speakers are designed to generate attention grabbing tones and voice commands for emergency signaling evacuation applications. These highly efficient low profile speakers are available with field selectable taps from ¼ - 2 watts. The low profile speakers are available in two input voltage models 25 Vrms and 70.7 Vrms. The SPS series speaker/strobe are designed with the new Select-A-Strobe. The strobe features a unique candela intensity field selector switch for switching the candela output from 15/75 to 30/120 cd. The strobe housing is clearly labelled with "FIRE" lettering and is polarized for connecting to supervised fire alarm circuits. The strobe is designed with a xenon flashtube and provides a candela intensity field selector switch for maximum performance.

The Strobe can be synchronized by using the SDM-240 sync module. The strobe signals are listed for indoor use, ceiling and wall mount.

The SPS-Series speaker-strobe install easily using the surface or flush backboxes.

## Features

- 25 & 70 Volt line matching transformers
- DC blocking capacitor for line supervision
- Output power taps of ½, 1, 2 and 4 watts
- Terminal block connection for speaker tap/output selection
- ULC listed for Wall or Ceiling mount
- Fire retardant cone material
- Strobe with two field selectable settings 15/75 or 30/120cd
- Polarized strobes with wide listed voltage ranges using filtered DC or unfiltered FWR input voltage
- Tamper-proof candela selector switch
- Strobe synchronization requires an SDM-240 Sync Module
- Round or square baffles
- Available in a white housing

## Specifications

The SPS-Series 8" Speaker-Strobes consist of a loudspeaker, 6 oz. magnet, a low profile constant voltage line matching transformer, a D.C. blocking capacitor and an all steel speaker baffle finished in an off white colour. The 25 and 70 volt transformers are of the matching type and include output power taps of: ½, 1, 2 and 4 watt(s). Tap selection is done using the speaker's terminal block. The speaker shall be approved for fire alarm signaling use.

The signaling strobe's candela output shall be field selectable, having a dual setting of 15/75 cd or 30/120 cd output. The signaling strobe shall operate on 24VDC from a non-coded regulated DC supply or full-wave rectified, unfiltered supply. The signaling strobe shall be designed to produce a signal flash of one flash per second with continuously applied minimum voltage. The SPS-Series speakers shall be capable of WALL or CEILING mounting.



S5375

## Output & Current Draw Table

SPEAKER	INPUT VOLTAGE	POWER TAPS				COIL IMPEDANCE	UL FREQUENCY RANGE	SPEAKER FREQUENCY RANGE	BAFFLE COLOUR
		1/2W	1W	2W	4W				
SPS-108A-25	25V RMS	85db	88db	89db	90db	8 ohms	400 Hz TO 4000 Hz	320 Hz TO 11000 Hz	OFF WHITE STEEL BAFFLE
SPS-108A-70	70V RMS								
SPS-208A-25	25V RMS								
SPS-208A-70	70V RMS								

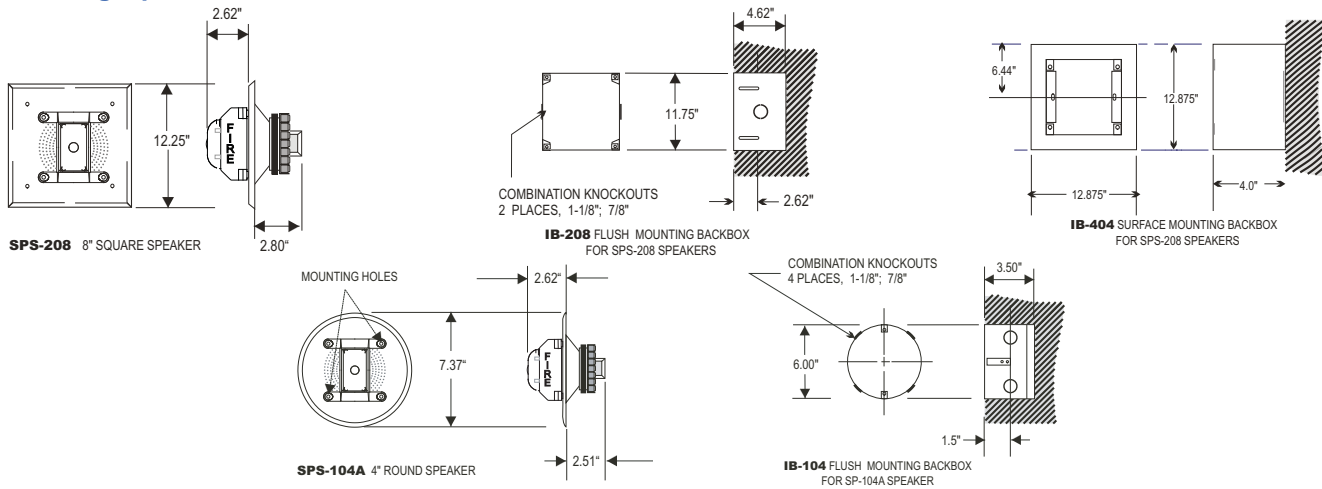
*dBA at 10ft. (3m) as measured in reverberant room per UL 1480. Meets or exceeds 85 dBA at 10ft. (3m) in an anechoic chamber using highest wattage tap per ULC-S541-1999.*

### Current Draw Table for STROBE only:

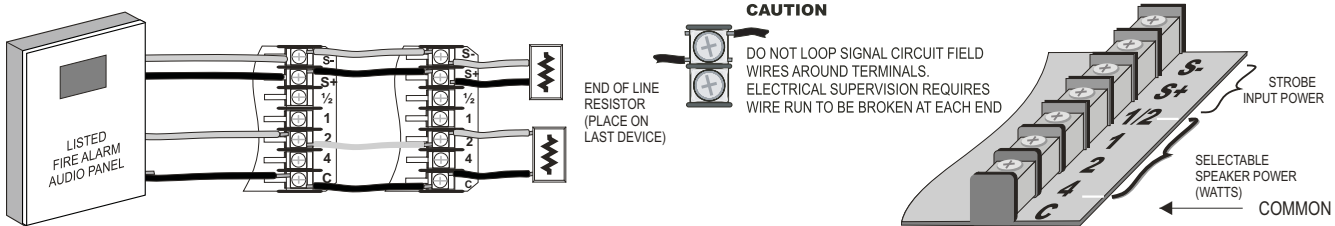
Average Current (mA) 24 volt models							Peak Current (mA) 24 volt models						In-Rush Current (mA) 24 volt models						
		19.2V		24V		26.4		19.2V		24V		26.4V		19.2V		24V		26.4V	
Candela	DC	FWR	DC	FWR	DC	FWR	DC	FWR	DC	FWR	DC	FWR	DC	FWR	DC	FWR	DC	FWR	
15/75	105	132	86	111	79	107	189	225	154	220	140	220	232	260	248	280	256	288	
30/120	144	164	114	132	104	125	213	245	175	235	163	235	236	264	252	350	260	293	

The strobes are listed for indoor use with a temperature operating range of 32° F to 120°F (0°C to 49°C)

## Mounting Options & Dimensions



## Typical Wiring Diagram



## Ordering Information

Model	Description
SPS-108A-25	8" Round Speaker, 25 Volt with Select-A-Strobe, White 15/75 or 30/120 Strobe Candela
SPS-108A-70	8" Round Speaker, 70 Volt with Select-A-Strobe, White 15/75 or 30/120 Strobe Candela
SPS-208A-25	8" Square Speaker, 25 Volt with Select-A-Strobe, White 15/75 or 30/120 Strobe Candela
SPS-208A-70	8" Square Speaker, 70 Volt with Select-A-Strobe, White 15/75 or 30/120 Strobe Candela
IB-108	8" Flush Backbox for Round Speakers
IB-208	8" Flush Backbox for Square Speakers
IB-408	8" Surface Backbox for Square Speakers
SDM-240	Series 200 Select-A-Horn/Strobe Sync. Module

NOT TO BE USED FOR INSTALLATION PURPOSES.



**Canada**  
25 Interchange Way  
Vaughan, Ontario L4K 5W3  
Telephone: (905) 660-4655  
Fax: (905) 660-4113

**U.S.A.**  
4575 Witmer Industrial Estates  
Niagara Falls, NY 14305  
Toll Free: (888) 660-4655  
Fax Toll Free: (888) 660-4113

Web page: <http://www.mircom.com> Email: [mail@mircom.com](mailto:mail@mircom.com)

Distributed by:

ISO 9001:2008  
REGISTERED



CAT. 5719  
Rev. 1



## Description

Mircom's low profile fire alarm speakers are designed to generate attention grabbing tones and voice commands for emergency signaling evacuation applications. These highly efficient low profile speakers are available with field selectable taps from ¼ - 2 watts. The low profile speakers are available in two input voltage models 25 Vrms and 70.7 Vrms. The SPS series speaker/strobe are designed with the new Select-A-Strobe. The strobe features a unique candela intensity field selector switch for switching the candela output from 15/75 to 30/120 cd. The strobe housing is clearly labelled with "FIRE" lettering and is polarized for connecting to supervised fire alarm circuits. The strobe is designed with a xenon flashtube and provides a candela intensity field selector switch for maximum performance.

The Strobe can be synchronized by using the SDM-240 sync module. The strobe signals are listed for indoor use, ceiling and wall mount.

The SPS-Series speaker-strobe install easily using the surface or flush backboxes.

## Features

- 25 & 70 Volt line matching transformers
- DC blocking capacitor for line supervision
- Output power taps of ¼, ½, 1, and 2 watts
- Terminal block connection for speaker tap/output selection
- ULC listed for Wall or Ceiling mount
- Fire retardant cone material
- Strobe with two field selectable settings 15/75 or 30/120cd
- Polarized strobes with wide listed voltage ranges using filtered DC or unfiltered FWR input voltage
- Tamper-proof candela selector switch
- Strobe synchronization requires an SDM-240 Sync Module
- Round or square baffles
- Available in a white housing

## Specifications

The SPS-Series 4" Speaker-Strobes consist of a loudspeaker, 6 oz. magnet, a low profile constant voltage line matching transformer, a D.C. blocking capacitor and an all steel speaker baffle finished in an off white colour. The 25 and 70 volt transformers are of the matching type and include output power taps of: ¼, ½, 1 and 2 watt(s). Tap selection is done using the speaker's terminal block. The speaker shall be approved for fire alarm signaling use.

The signaling strobe's candela output shall be field selectable, having a dual setting of 15/75 cd or 30/120 cd output. The signaling strobe shall operate on 24VDC from a non-coded regulated DC supply or full-wave rectified, unfiltered supply. The signaling strobe shall be designed to produce a signal flash of one flash per second with continuously applied minimum voltage. The SPS-Series speakers shall be capable of WALL or CEILING mounting.



S5375

## Output & Current Draw Table

SPEAKER	INPUT VOLTAGE	POWER TAPS				COIL IMPEDANCE	UL FREQUENCY RANGE	SPEAKER FREQUENCY RANGE	BAFFLE COLOUR
		¼W	½W	1W	2W				
SPS-104A-25	25V RMS	85db	86db	89db	91db	8 ohms	400 Hz TO 4000 Hz	320 Hz TO 11000 Hz	OFF WHITE STEEL BAFFLE
SPS-104A-70	70V RMS								
SPS-204A-25	25V RMS								
SPS-204A-70	70V RMS								

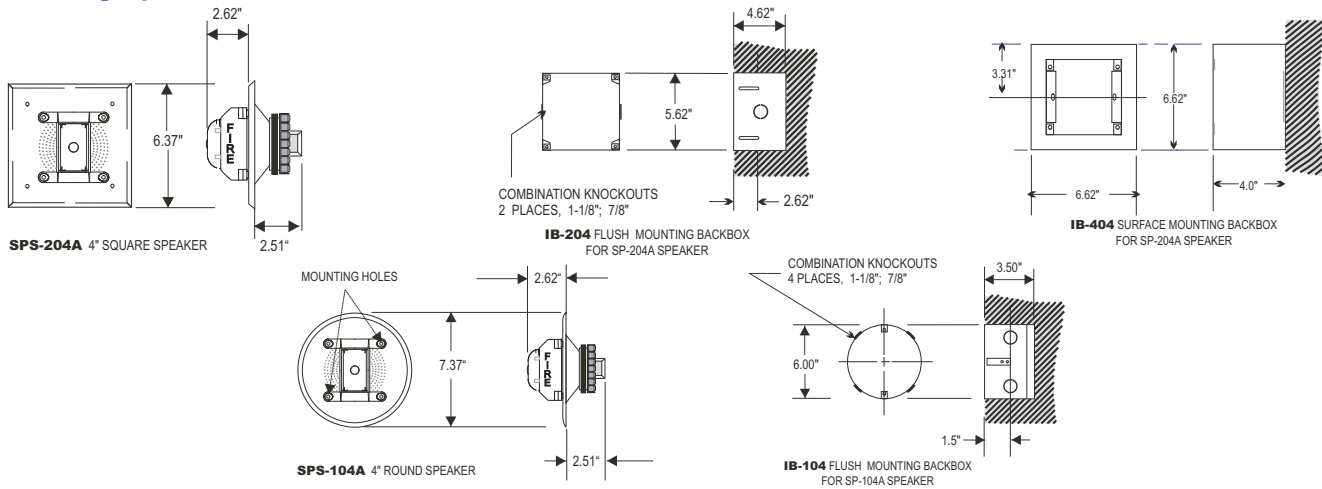
*dBA at 10ft. (3m) as measured in reverberant room per UL 1480. Meets or exceeds 85 dBA at 10ft. (3m) in an anechoic chamber using highest wattage tap per ULC-S541-1987.*

### Current Draw Table for STROBE only:

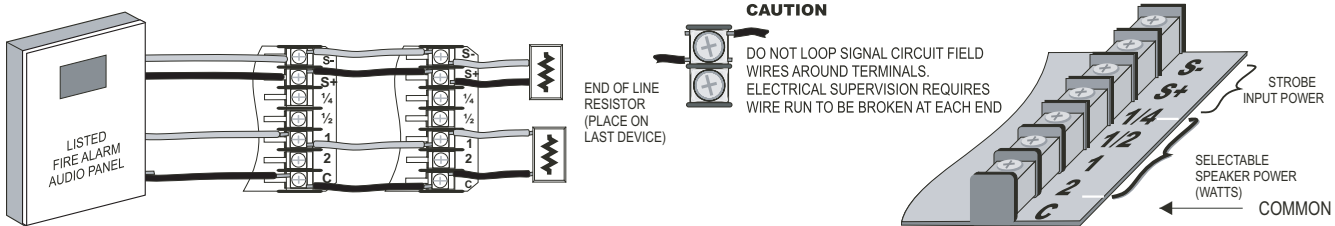
Average Current (mA) 24 volt models							Peak Current (mA) 24 volt models						In-Rush Current (mA) 24 volt models						
		19.2V		24V		26.4		19.2V		24V		26.4V		19.2V		24V		26.4V	
Candela	DC	FWR	DC	FWR	DC	FWR	DC	FWR	DC	FWR	DC	FWR	DC	FWR	DC	FWR	DC	FWR	
15/75	105	132	86	111	79	107	189	225	154	220	140	220	232	260	248	280	256	288	
30/120	144	164	114	132	104	125	213	245	175	235	163	235	236	264	252	350	260	293	

The strobes are listed for indoor use with a temperature operating range of 32° F to 120°F (0°C to 49°C)

## Mounting Options & Dimensions



## Typical Wiring Diagram



## Ordering Information

Model	Description
SPS-104A-25	4" Round Speaker, 25 Volt with Select-A-Strobe, White 15/75 or 30/120 Strobe Candela
SPS-104A-70	4" Round Speaker, 70 Volt with Select-A-Strobe, White 15/75 or 30/120 Strobe Candela
SPS-204A-25	4" Square Speaker, 25 Volt with Select-A-Strobe, White 15/75 or 30/120 Strobe Candela
SPS-204A-70	4" Square Speaker, 70 Volt with Select-A-Strobe, White 15/75 or 30/120 Strobe Candela
IB-104	4" Flush Backbox for Round Speakers
IB-204	4" Flush Backbox for Square Speakers
IB-404	4" Surface Backbox for Square Speakers
SDM-240	Series 200 Select-A-Horn/Strobe Sync. Module

NOT TO BE USED FOR INSTALLATION PURPOSES.



**Canada**  
 25 Interchange Way  
 Vaughan, Ontario L4K 5W3  
 Telephone: (905) 660-4655  
 Fax: (905) 660-4113

**U.S.A.**  
 4575 Witmer Industrial Estates  
 Niagara Falls, NY 14305  
 Toll Free: (888) 660-4655  
 Fax Toll Free: (888) 660-4113

Web page: <http://www.mircom.com> Email: [mail@mircom.com](mailto:mail@mircom.com)

Distributed by:

ISO 9001:2008 REGISTERED



CAT. 5706 Rev. 5





### Features

- 25 & 70 volt line matching transformers
- High dBA output (over 90 dBA at 10 feet @ 2 watts)
- D.C. blocking capacitor for line supervision
- Multiple output taps. Selection for 1/2, 1, 2 or 4 watts
- Moisture resistant
- Fire retardant cone material
- Factory assembled and tested
- Each speaker is equipped with a ground wire
- Off white speaker baffle
- Round or square baffles

### Description

Mircom's SP-Series 8" Speakers are designed for broadcasting high quality alert/alarm tone signals and are ideal for alarm signalling in hotels, malls, apartments and other areas where attractive appearance and dependable performance are prime concerns.

The SP-Series 8" Speakers consist of a loudspeaker, 6 oz. magnet, a low profile constant voltage line matching transformer, a D.C. blocking capacitor and an all steel speaker baffle finished in an off white colour. The 25 and 70 volt transformers are of the matching type and include output power taps of: 1/2, 1, 2 and 4 watt(s). The tap selection is accomplished by wiring into the appropriate slot on the speaker's terminal block.

The SP-Series speakers install easily using the surface or flush backboxes.

Mircom's fire alarm speakers are specially designed for high quality emergency fire alarm signals and voice communications. These units must be used with Mircom's QX-5000 Series Emergency Zoned Audio System or any voice alarm equipment approved by Underwriters Laboratories of Canada (ULC).



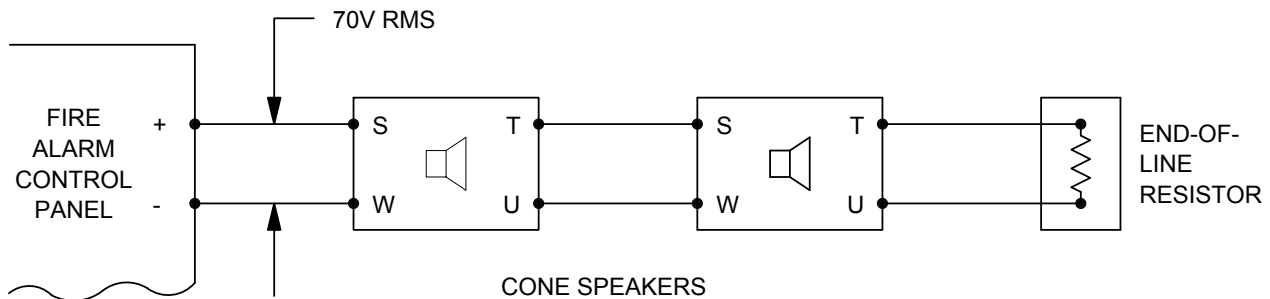
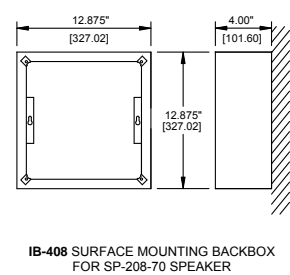
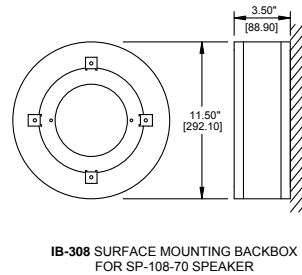
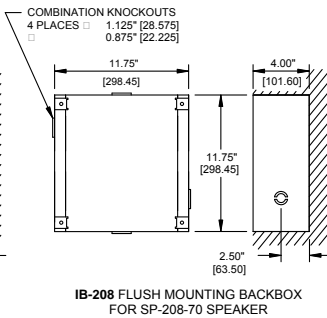
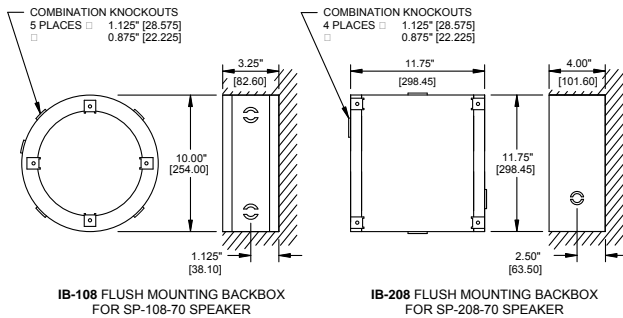
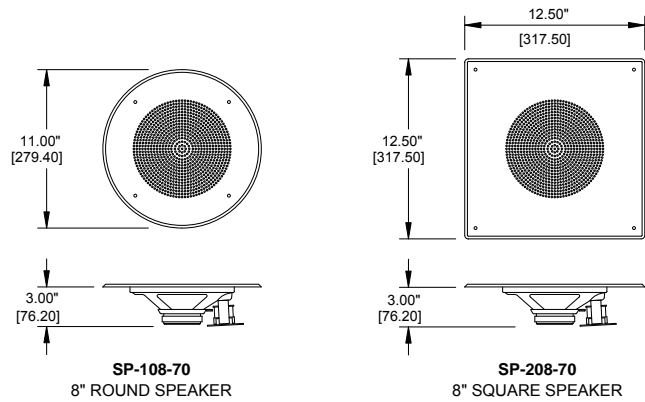
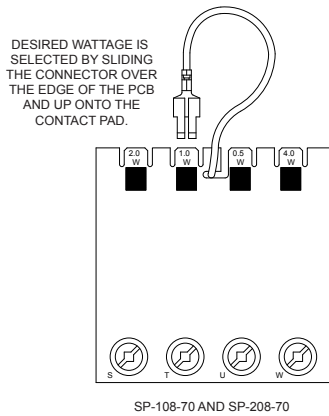
# Speaker Specifications

MODEL NUMBER	SPEAKER VOLTAGE	SPEAKER dBA 10 FT.				MOUNTING CONFIGURATIONS		BAFFLE SHAPE
		WATT TAP		TYPICAL dBA		FLUSH	SURFACE	
		1/2 WATT	1 WATT	2 WATT	4 WATT			
SP-108-25	25	83	87	90	93	IB-108	N/A	ROUND
SP-108-70	70	83	87	90	93	IB-108	N/A	ROUND
SP-208-25	25	83	87	90	93	IB-208	IB-408	SQUARE
SP-208-70	70	83	87	90	93	IB-208	IB-408	SQUARE

dBA is sound pressure measurement measured using the transformer tap shown at a distance of 10 feet (2.54 meters). This measurement is obtained using the ULC standard CAN/ULC-S541-M87.

**NOTE: All Mircom enclosures are equipped with a ground screw hole. Each speaker unit is equipped with a ground wire.**

## Installation Instructions



NOT TO BE USED FOR INSTALLATION PURPOSES.



**Canada**  
25 Interchange Way  
Vaughan, Ontario L4K 5W3  
Telephone: (905) 660-4655  
Fax: (905) 660-4113

**U.S.A.**  
4575 Witmer Industrial Estates  
Niagara Falls, NY 14305  
Toll Free: (888) 660-4655  
Fax Toll Free: (888) 660-4113

Web page: <http://www.mircom.com> Email: [mail@mircom.com](mailto:mail@mircom.com)

Distributed by:

ISO 9001:2008  
REGISTERED



CAT. 5701  
Rev. 5



### Features

- 25 & 70 volt line matching transformers
- High dBA output (over 90 dBA at 10 feet @ 2 watts)
- D.C. blocking capacitor for line supervision
- Multiple output taps. Selection for ½, 1, 2 or 4 watts
- Moisture resistant
- Fire retardant cone material
- Factory assembled and tested
- Each speaker is equipped with a ground wire
- Bright white speaker baffle
- Round or square baffles

### Description

Mircom's SP-Series 8" Speakers are designed for broadcasting high quality alert/alarm tone signals and are ideal for alarm signalling in hotels, malls, apartments and other areas where attractive appearance and dependable performance are prime concerns.

The SP-Series 8" Speakers consist of a loudspeaker, 6 oz. magnet, a low profile constant voltage line matching transformer, a D.C. blocking capacitor and an all steel speaker baffle finished in a bright white colour. The 25 and 70 volt transformers are of the matching type and include output power taps of: ½, 1, 2 and 4 watt(s). The tap selection is accomplished by wiring into the appropriate slot on the speaker's terminal block.

The SP-Series speakers install easily using the surface or flush backboxes.

Mircom's fire alarm speakers are specially designed for high quality emergency fire alarm signals and voice communications. These units must be used with Mircom's QX-5000 Series Emergency Zoned Audio System or any voice alarm equipment approved by Underwriters Laboratories of Canada (ULC).





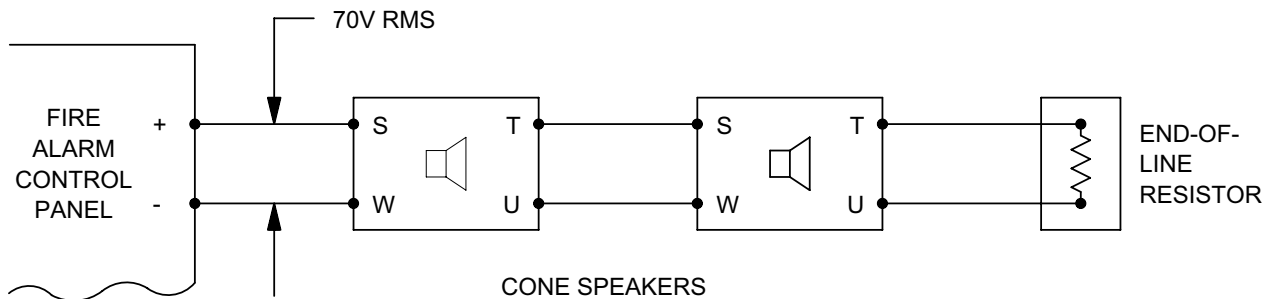
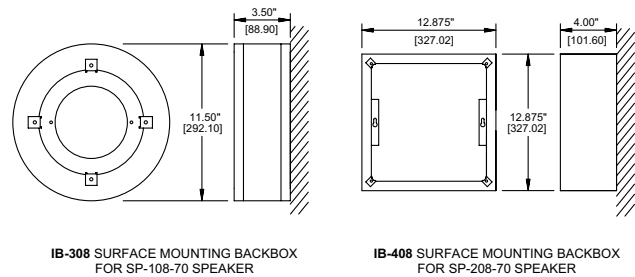
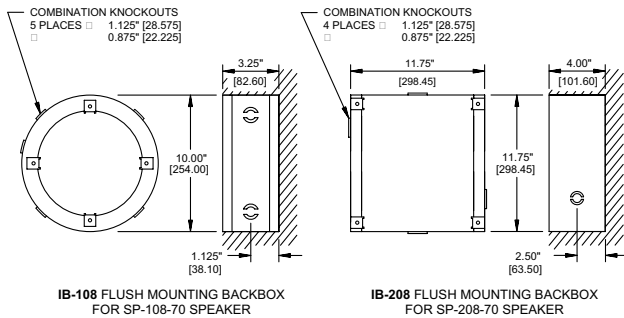
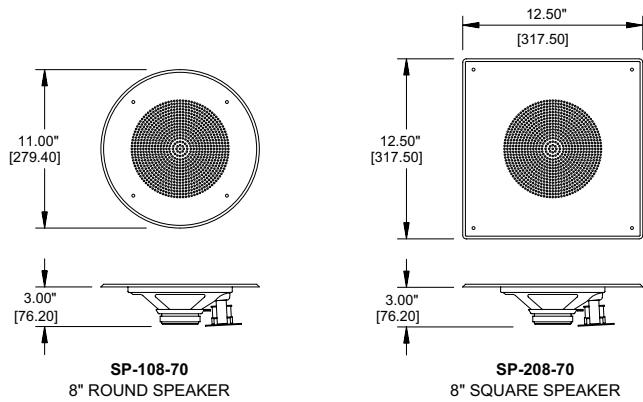
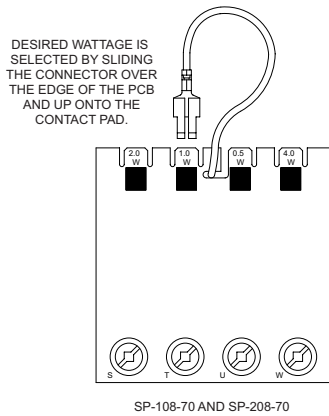
# Speaker Specifications

MODEL NUMBER	SPEAKER VOLTAGE	SPEAKER dBA 10 FT.				MOUNTING CONFIGURATIONS		BAFFLE SHAPE
		WATT TAP		TYPICAL dBA		FLUSH	SURFACE	
		1/2 WATT	1 WATT	2 WATT	4 WATT			
SP-108-25W	25	83	87	90	93	IB-108	N/A	ROUND
SP-108-70W	70	83	87	90	93	IB-108	N/A	ROUND
SP-208-25W	25	83	87	90	93	IB-208	IB-408	SQUARE
SP-208-70W	70	83	87	90	93	IB-208	IB-408	SQUARE

dBA is sound pressure measurement measured using the transformer tap shown at a distance of 10 feet (2.54 meters). This measurement is obtained using the ULC standard CAN/ULC-S541-M87.

**NOTE: All Mircom enclosures are equipped with a ground screw hole. Each speaker unit is equipped with a ground wire.**

## Installation Instructions



NOT TO BE USED FOR INSTALLATION PURPOSES.

**Mircom**<sup>TM</sup>  
Canada

25 Interchange Way  
Vaughan, Ontario L4K 5W3  
Telephone: (905) 660-4655  
Fax: (905) 660-4113

**U.S.A.**  
4575 Witmer Industrial Estates  
Niagara Falls, NY 14305  
Toll Free: (888) 660-4655  
Fax Toll Free: (888) 660-4113

Web page: <http://www.mircom.com> Email: [mail@mircom.com](mailto:mail@mircom.com)

Distributed by:

ISO 9001:2008  
REGISTERED



CAT. 5703  
Rev. 0



### Features

- 25 & 70 volt line matching transformers
- High dBA output (over 90 dBA at 10 feet @ 2 watts)
- D.C. blocking capacitor for line supervision
- Terminal block connection for speaker tap/output selection
- Multiple output taps. Selection for ¼, ½, 1 or 2 watts
- Moisture resistant
- Fire retardant cone material
- Factory assembled and tested
- Each speaker is equipped with a ground wire
- Off white speaker baffle
- Round or square baffles

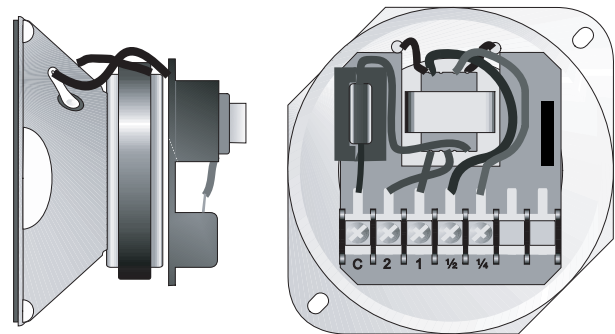
### Description

Mircom's SP-Series 4" Speakers are designed for broadcasting high quality tone signals and are ideal for alarm signaling in hotels, malls, apartments and other areas where attractive appearance and dependable performance are prime concerns.

The SP-Series 4" Speakers consist of a loudspeaker, 6 oz. magnet, a low profile constant voltage line matching transformer, a D.C. blocking capacitor and an all steel speaker baffle finished in an off white colour. The 25 and 70 volt transformers are of the matching type and include output power taps of ¼, ½, 1 and 2 watt(s). Tap selection is made by wiring into the appropriate slot on the speaker's terminal block. The SP-Series speakers install easily using the surface or flush backboxes.

Mircom fire alarm speakers are specially designed for high quality emergency fire alarm signals and voice communication. These units must be used with Mircom's QX-5000 Voice Evacuation System or any voice alarm equipment approved by Underwriters Laboratories of Canada (ULC).

### Wiring Instructions



Desired wattage is selected by wiring into the corresponding terminal on the speaker terminal block.



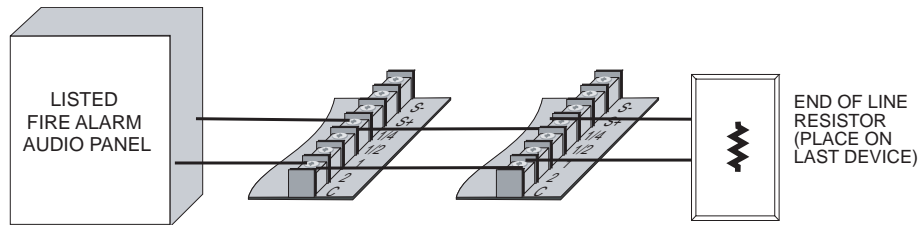
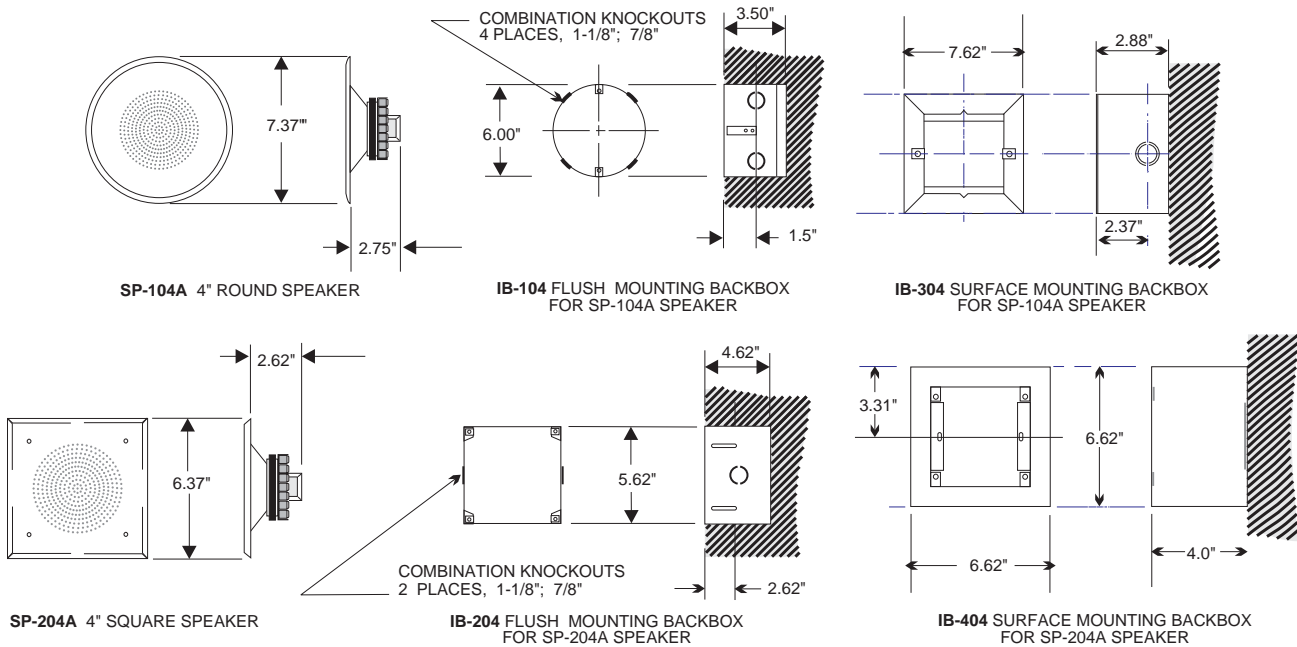
# Speaker Specifications

MODEL NUMBER	SPEAKER VOLTAGE	SPEAKER dBA 10 FT.				MOUNTING CONFIGURATIONS		BAFFLE SHAPE
		WATT TAP		TYPICAL dBA		FLUSH	SURFACE	
		¼ WATT	½ WATT	1 WATT	2 WATT			
SP-104A-25	25	85	86	89	91	IB-104	N/A	ROUND
SP-104A-70	70	85	86	89	91	IB-104	N/A	ROUND
SP-204A-25	25	85	86	89	91	IB-204	IB-404	SQUARE
SP-204A-70	70	85	86	89	91	IB-204	IB-404	SQUARE

dBA Sound Pressure Level is measured using the transformer tap shown at a distance of 10 feet (3 meters). This measurement is obtained in accordance with ULC Standard CAN/ULC-S541-M87.

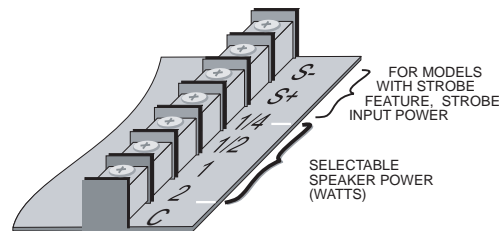
**NOTE: All Mircom enclosures are equipped with a ground screw hole. Each speaker unit is equipped with a ground wire.**

## Installation Instructions



### CAUTION

**DO NOT LOOP SIGNAL CIRCUIT FIELD WIRES AROUND TERMINALS. ELECTRICAL SUPERVISION REQUIRES WIRE RUN TO BE BROKEN AT EACH END.**



NOT TO BE USED FOR INSTALLATION PURPOSES.



**Canada**  
 25 Interchange Way  
 Vaughan, Ontario L4K 5W3  
 Telephone: (905) 660-4655  
 Fax: (905) 660-4113

**U.S.A.**  
 4575 Witmer Industrial Estates  
 Niagara Falls, NY 14305  
 Toll Free: (888) 660-4655  
 Fax Toll Free: (888) 660-4113

Web page: <http://www.mircom.com> Email: [mail@mircom.com](mailto:mail@mircom.com)

Distributed by:



CAT. 5700  
 Rev. 5



## Description

Mircom's SP-Series 4" Smart Silenceable Speakers are designed to work with Mircom's QX-5000 Emergency Zoned Audio System for installations where it is necessary to provide silencing and resound of a local fire alarm speaker. The QX-5000 zoned audio system requires a QMP-5100A Zoned Paging module to operate with the silenceable speakers. In addition all of the silenceable speakers are compatible with Mircom's SIS-204 and SISA-204 Speaker Isolators.

The 4" smart silenceable speakers are equipped with an integral or remote switch. The SP-404SW-70A (Round) and SP-504SW-70A (Square) speakers come equipped with a built-in silence switch. The SP-404-70A (Round) and SP-504-70A (Square) speakers require the use of the SSW-100 Remote Silence Switch Module. The SSW-100 mounts in a standard single gang electrical box. Both the speakers with the built-in silence switch and the SSW-100 remote silence switch are equipped with a red LED indicator that follows the status of the signal circuit. A push-button switch is provided for local silencing of the in-suite speaker(s).

The smart silenceable speakers obtain power from the QX-5000 audio system's 70-volt audio line, thus eliminating the need for additional wiring. The silence circuitry adds ¼ watt to the tap selected. For example, a speaker tapped at ¼ watt would be calculated at ½ watt. In addition, Mircom's smart silenceable speakers allow for the silencing of non-smart speakers in the same suite. This means that only one smart speaker is required in the suite, allowing for the balance of the in-suite speakers to be conventional 70-volt speakers.

## Features

- Available with the "silence switch" either on the baffle or mounted remotely
- Designed to work with Mircom's QX-5000 Zoned Audio System (requires QMP-5100A)
- Can be used with Digitized Voice Messaging
- Compatible with the SIS-204 and SISA-204 Speaker Isolators
- 70 volt line matching transformer
- High dBA output (over 90 dBA at 10 feet @ 2 watts)
- Multiple output taps. Selection for ¼, ½, 1 or 2 watts
- Off white speaker baffle
- Round or square baffles
- Supports additional non-smart in-suite speakers
- Requires no additional wires to provide the silenceable feature

The SP-Series 4" Speakers consist of a loudspeaker, 6 oz. magnet, a low profile constant voltage line matching transformer, a D.C. blocking capacitor and an all steel speaker baffle finished in an off white colour. The 70 volt transformer is of the matching type and includes output power taps of ¼, ½, 1 and 2 watt. Tap selection is easy by wiring into the appropriate slot on the speaker's terminal block.

## Operation

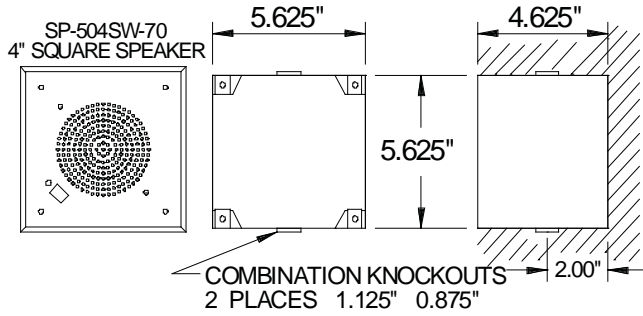
Activation of the silence switch will silence the connected speaker(s) for not more than 10 minutes before resounding. When a paging message is initiated from the QMP-5100A, a 3 second pre-announce tone is used to reactivate the speaker(s) to allow for the paging message to be heard. The speaker will resound after the page is completed. In addition, when the timer expires, the speaker will resound if the alarm signal is still active. The speaker may be re-silenced in the same manner. The speaker must sound for 10 seconds before it can be silenced.

The speaker will return to "normal mode" (if previously silenced) automatically after the audio signal has ceased for more than 30 seconds. If a subsequent alarm occurs, prior to the 30 second time period (if previously silenced), the speaker will not resound until the silence time period has elapsed. Any subsequent alarm that is processed after the fire alarm panel has been silenced beyond the 30 second time period will sound immediately.

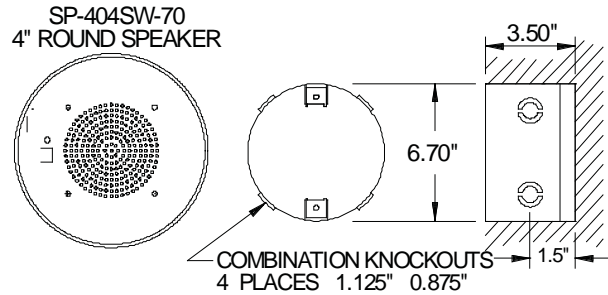


## Installation Instructions

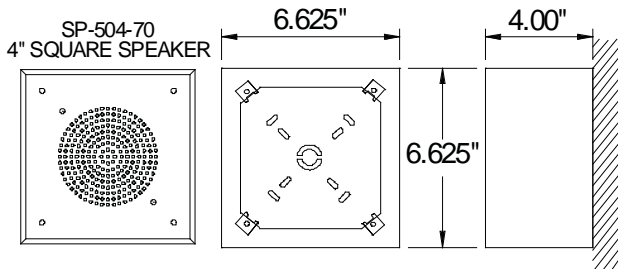
The silenceable speakers are mounted to the appropriate backboxes using the 4 screws provided. The 4" round speakers are mounted to the IB-104A backbox for flush mounting. The 4" square speakers can be mounted to either the IB-204 backbox for flush mounting or the IB-404 backbox for surface mounting.



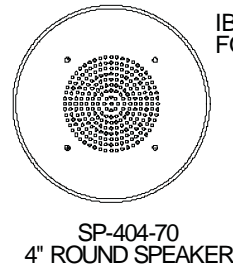
IB-204 FLUSH MOUNTING BACKBOX  
FOR SP-504-70 SPEAKERS  
SP-504SW-70 SPEAKERS



IB-104A FLUSH MOUNTING BACKBOX  
FOR SP-504-70 SPEAKERS  
SP-504SW-70 SPEAKERS



IB-404 SURFACE MOUNTING BACKBOX  
FOR SP-504-70 SPEAKERS  
SP-504SW-70 SPEAKERS

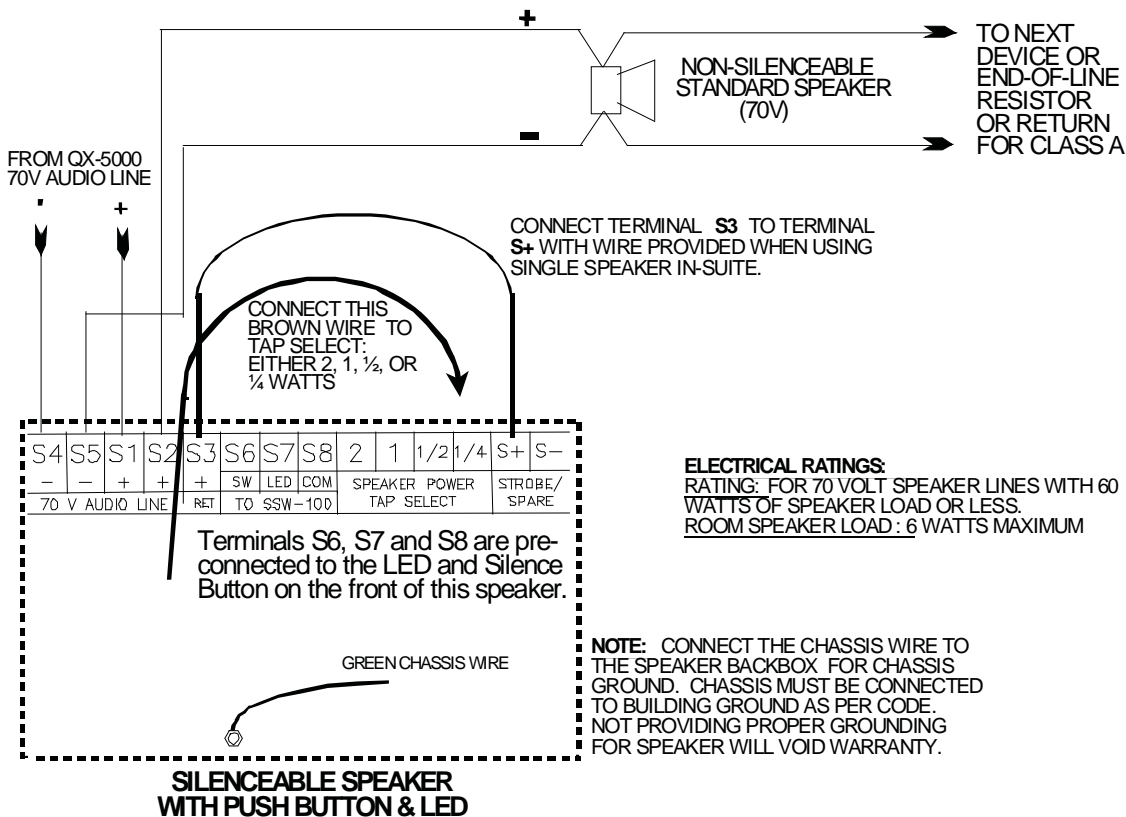


SP-404-70  
4" ROUND SPEAKER

## Wiring Instructions

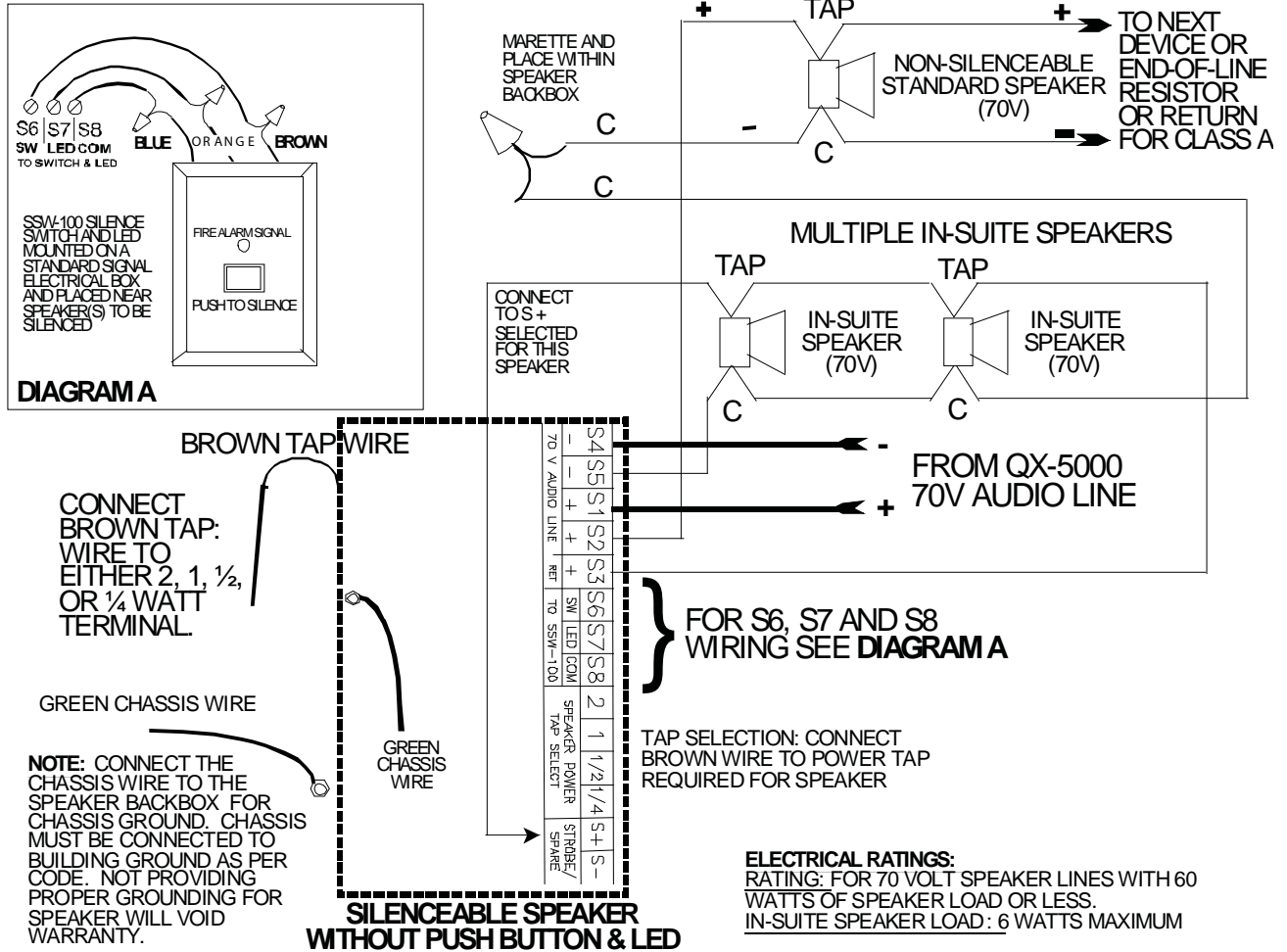
### Wiring Silenceable Speakers with built-in Silence switch.

### Models SP-404SW-70A (Round) and SP-504SW-70A (Square)

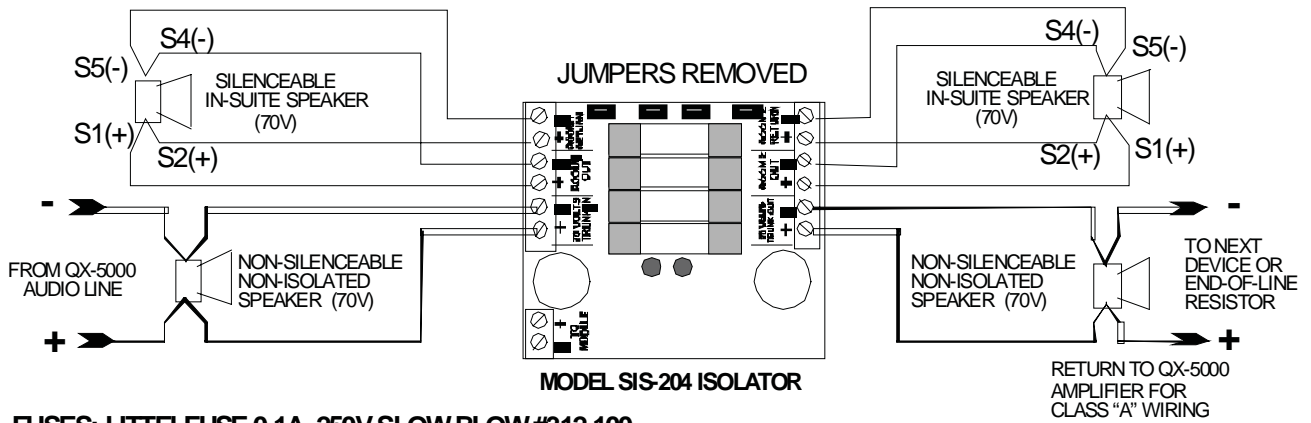




**Wiring Silenceable Speakers via the SSW-100 Silence Switch.  
Models SP-404-70A (Round) and SP-504-70A (Square)**



**Wiring Silenceable Speakers with an SIS-204 or SISA-204 Speaker Isolator Module**



**ELECTRICAL RATINGS:**  
RATING: FOR 70 VOLT SPEAKER LINES WITH 60 WATTS OF SPEAKER LOAD OR LESS.  
IN-SUITE SPEAKER LOAD: 6 WATTS MAXIMUM  
MAXIMUM NUMBER OF ISOLATORS ON A SPEAKER LINE: WITH SPECIFIED LITTELFUSE TYPE 312 FUSE.

## Speaker Specifications

MODEL NUMBER	SPEAKER VOLTAGE (RMS)	SPEAKER dBA 10 FT.				MOUNTING CONFIGURATIONS		BAFFLE SHAPE
		WATT TAP		TYPICAL dBA				
		¼ WATT	½ WATT	1 WATT	2 WATT			
SP-404-70A	25	85	86	89	91	IB-104	N/A	ROUND
SP-404SW-70A	70	85	86	89	91	IB-104	N/A	ROUND
SP-504-70A	25	85	86	89	91	IB-204	IB-404	SQUARE
SP-504SW-70A	70	85	86	89	91	IB-204	IB-404	SQUARE

dBA Sound Pressure Level is measured using the transformer tap shown at a distance of 10 feet (3 meters). This measurement is obtained in accordance with ULC Standard CAN/ULC-S541-M87.

**NOTE: All Mircom enclosures are equipped with a ground screw hole. Each speaker unit is equipped with a ground wire.**

## Electrical Specifications

Input Voltages: 70V RMS  
 Speaker Coil Impedance: 8 Ohms  
 Power Taps: ¼ watt, ½ watt, 1 watt, 2 watt  
 UL Frequency Range: 400 to 4000 Hz  
 Speaker Frequency Range: 320 to 11000 Hz  
 Standby Power: 0.0 watt  
 Power Consumption in Alarm: ¼ watt plus (add) wattage of power tap selected.  
*Maximum Number of Silenceable Speakers on a circuit is limited by the available amplifier power.*

### Ordering Information

Model	Description
SP-404-70A	In-suite Silenceable 4" Speaker, Round, 70V
SP-404SW-70A	In-suite Silenceable 4" Speaker, Round, 70V with built-in Silence Switch
SP-504-70A	In-suite Silenceable 4" Speaker, Square, 70V
SP-504SW-70A	In-suite Silenceable 4" Speaker, Square, 70V with built-in Silence Switch
SSW-100	In-suite Silence Switch used with models: SP-404-70 and SP-504-70
	Mounts into a single gang electrical box. Use Temco #2104-LLE or compatible device boxes.
IB-104A	4" Flush Backbox for Round Speakers
IB-204	4" Flush Backbox for Square Speakers
IB-404	4" Surface Backbox for Square Speakers

NOT TO BE USED FOR INSTALLATION PURPOSES.



**Canada**  
 25 Interchange Way  
 Vaughan, Ontario L4K 5W3  
 Telephone: (905) 660-4655  
 Fax: (905) 660-4113

**U.S.A.**  
 4575 Witmer Industrial Estates  
 Niagara Falls, NY 14305  
 Toll Free: (888) 660-4655  
 Fax Toll Free: (888) 660-4113

Distributed by:

Web page: <http://www.mircom.com> Email: [mail@mircom.com](mailto:mail@mircom.com)

ISO 9001:2008  
 REGISTERED



CAT. 5710  
 Rev. 5



### Description

Mircom's SP-304A-25 and SP-304A-70 are retrofit speakers designed for broadcasting high quality tone signals and are ideal for alarm signaling in hotels, malls, apartments and other areas where attractive appearance and dependable performance are prime concerns.

The SP-Series 4" Retrofit Speakers consist of a loudspeaker, 6 oz. magnet, a low profile constant voltage line matching transformer, a D.C. blocking capacitor and an all steel speaker baffle finished in an off white colour. The 25 and 70 volt transformers are of the matching type and include output power taps of ¼, ½, 1 and 2 watt(s). Tap selection is made by wiring into the appropriate slot on the speaker's terminal block.

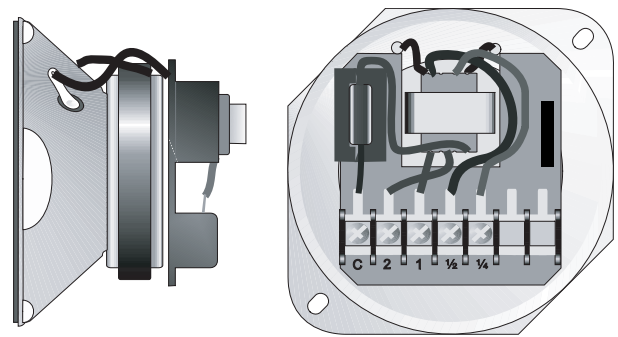
The SP-Series 4" Retrofit Speakers mount over existing apartment intercom suite stations. The suite stations that can be used are Mircom/Mirtone IS-400 Series stations, Canadian Sound and Signal's CS-10W and Couch intercom suite stations.

Mircom's fire alarm speakers are specially designed for high quality emergency fire alarm signals and voice communications. These units must be used with Mircom's QX-5000 Voice Evacuation system or with any voice alarm equipment approved by Underwriters Laboratories of Canada (ULC).

### Features

- 25 & 70 volt line matching transformers
- High dBA output (over 90 dBA at 10 feet @ 2 watts)
- D.C. blocking capacitor for line supervision
- Terminal block connection for speaker tap/output selection
- Multiple output taps. Selection for ¼, ½, 1 or 2 watts
- Moisture resistant
- Fire retardant cone material
- Factory assembled and tested
- Each speaker is equipped with a ground wire
- Off white speaker baffle
- Easily mounts over existing apartment intercom suite stations

### Wiring Instructions



Desired wattage is selected by wiring into the corresponding terminal on the speaker terminal block.



S5375

**CATALOG NUMBER** **5705**

NOT TO BE USED FOR INSTALLATION PURPOSES.

Mircom reserves the right to make changes at any time without notice in prices, colours, materials, components, equipment, specifications and models and also to discontinue models.

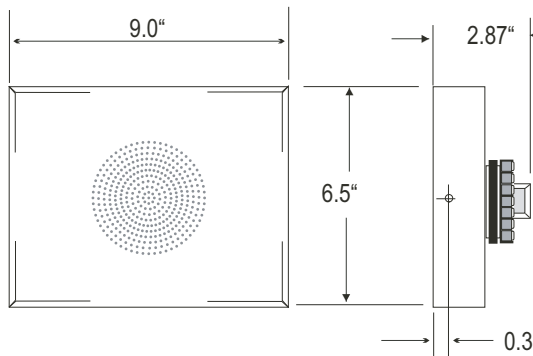
## Speaker Specifications

MODEL NUMBER	SPEAKER VOLTAGE	SPEAKER dBA 10 FT.				BAFFLE SHAPE
		WATT TAP		TYPICAL dBA		
		¼ WATT	½ WATT	1 WATT	2 WATT	
SP-304A-25	25	85	86	89	91	RECTANGLE
SP-304A-70	70	85	86	89	91	RECTANGLE

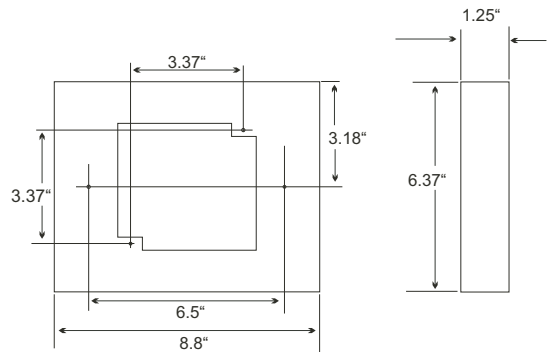
dBA Sound Pressure Level is measured using the transformer tap shown at a distance of 10 feet (3 meters). This measurement is obtained in accordance with ULC Standard CAN/ULC-S541-M87.

**NOTE: All Mircom enclosures are equipped with a ground screw hole. Each speaker unit is equipped with a ground wire.**

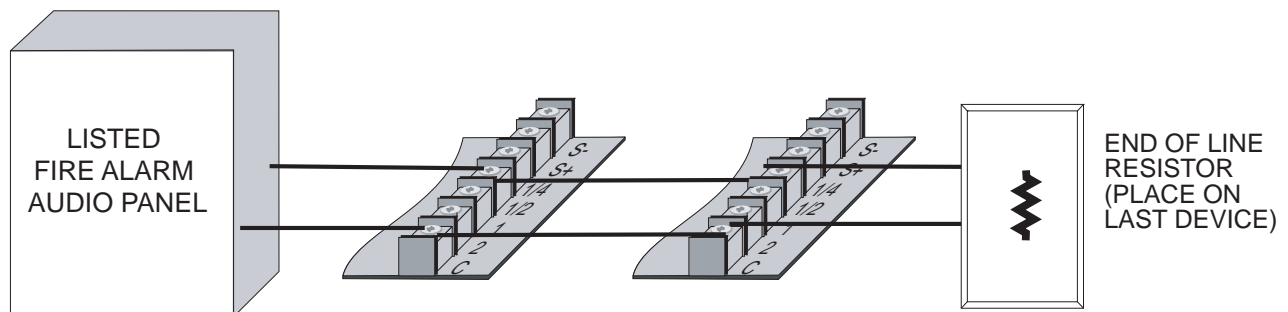
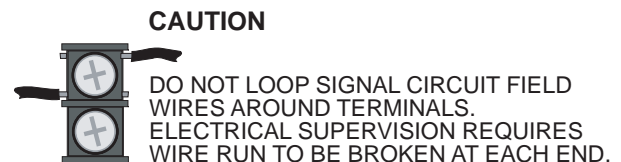
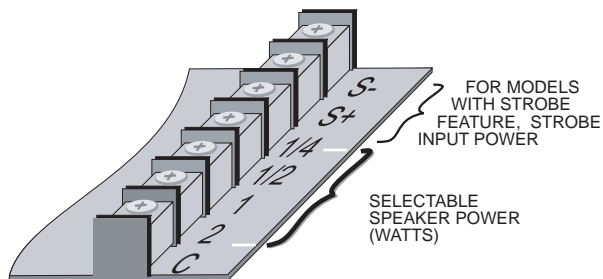
## Installation Instructions



**SP-304A** 4" RECTANGULAR SPEAKER



**IB-604** FLUSH MOUNTING BACKBOX FOR SP-304A SPEAKER



NOT TO BE USED FOR INSTALLATION PURPOSES.



**Canada**  
25 Interchange Way  
Vaughan, Ontario L4K 5W3  
Telephone: (905) 660-4655  
Fax: (905) 660-4113

**U.S.A.**  
4575 Witmer Industrial Estates  
Niagara Falls, NY 14305  
Toll Free: (888) 660-4655  
Fax Toll Free: (888) 660-4113

Web page: <http://www.mircom.com> Email: [mail@mircom.com](mailto:mail@mircom.com)

Distributed by:



ISO 9001:2008  
REGISTERED



CAT. 5705  
Rev. 5

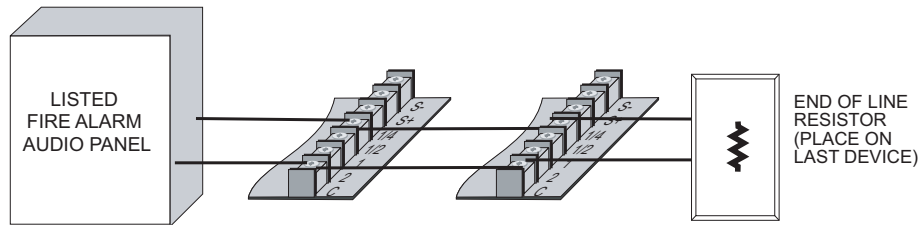
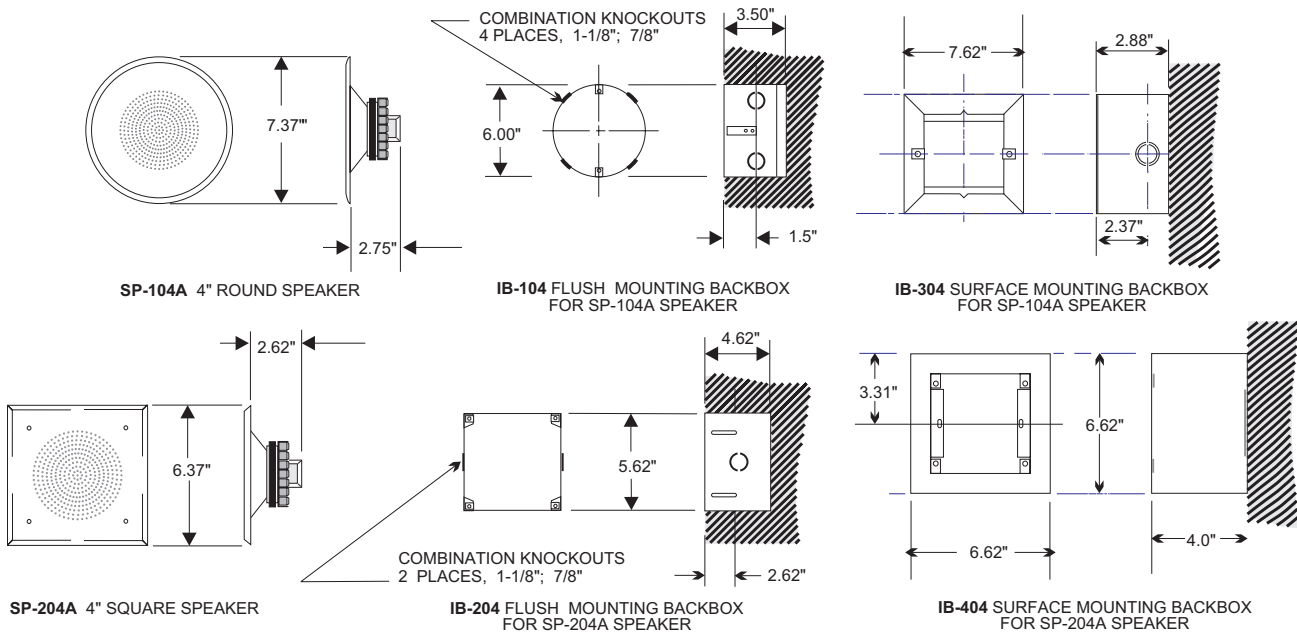
# Speaker Specifications

MODEL NUMBER	SPEAKER VOLTAGE	SPEAKER dBA 10 FT.				MOUNTING CONFIGURATIONS		BAFFLE SHAPE
		WATT TAP		TYPICAL dBA		FLUSH	SURFACE	
		¼ WATT	½ WATT	1 WATT	2 WATT			
SP-104A-25W	25	85	86	89	91	IB-104	N/A	ROUND
SP-104A-70W	70	85	86	89	91	IB-104	N/A	ROUND
SP-204A-25W	25	85	86	89	91	IB-204	IB-404	SQUARE
SP-204A-70W	70	85	86	89	91	IB-204	IB-404	SQUARE

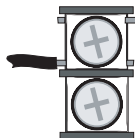
dBA Sound Pressure Level is measured using the transformer tap shown at a distance of 10 feet (3 meters). This measurement is obtained in accordance with ULC Standard CAN/ULC-S541-M87.

**NOTE: All Mircom enclosures are equipped with a ground screw hole. Each speaker unit is equipped with a ground wire.**

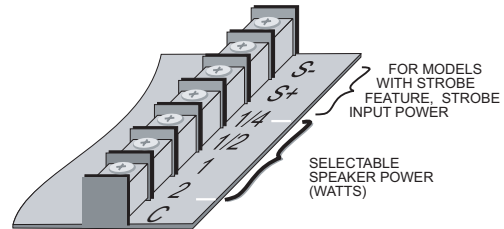
## Installation Instructions



### CAUTION



DO NOT LOOP SIGNAL CIRCUIT FIELD WIRES AROUND TERMINALS. ELECTRICAL SUPERVISION REQUIRES WIRE RUN TO BE BROKEN AT EACH END.



NOT TO BE USED FOR INSTALLATION PURPOSES.

Distributed by:



**Canada**  
 25 Interchange Way  
 Vaughan, Ontario L4K 5W3  
 Telephone: (905) 660-4655  
 Fax: (905) 660-4113

**U.S.A.**  
 4575 Witmer Industrial Estates  
 Niagara Falls, NY 14305  
 Toll Free: (888) 660-4655  
 Fax Toll Free: (888) 660-4113

Web page: <http://www.mircom.com> Email: [mail@mircom.com](mailto:mail@mircom.com)

ISO 9001:2008 REGISTERED



CAT. 5702 Rev. 0